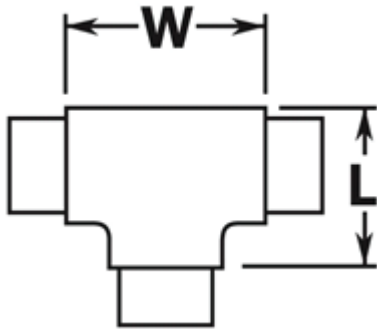


Rigi-Grip[®] Handrail Components
304 Stainless Steel, Satin Finish

Part Number: HR734 Flush Tee for 1-1/2" Diameter Tubing



W	3"
L	2-1/4"

For indoor use only.
To clean, use metal cleaner and apply with a damp, soft cloth.

Installation	Adhere fitting to tube using Loctite 326 Metal Adhesive and Primer.
Hardware Included	N/A