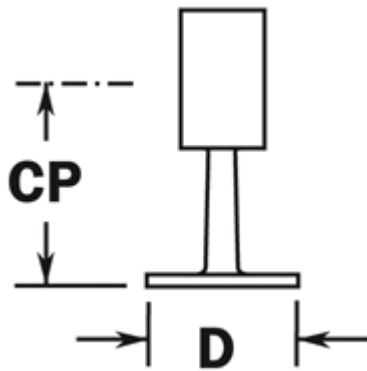


Rigi-Grip<sup>®</sup> Handrail Components  
304 Stainless Steel, Satin Finish

Part Number: HR340

Flush End Post for 1-1/2" Diameter Tubing



<b>CP</b>	2-7/16"
<b>D</b>	2-5/16"

For indoor use only.

To clean, use metal cleaner and apply with a damp, soft cloth.

<b>Installation</b>	Mount plate to surface using three #10 screws.
<b>Hardware Included</b>	3 x #10 x 1-1/2" PFH screws.